

▶ 06139-CE

Hydraulic safety shut off Valve

▶ **Application: High pressure LPG storage**



▶ ADVANTAGES:

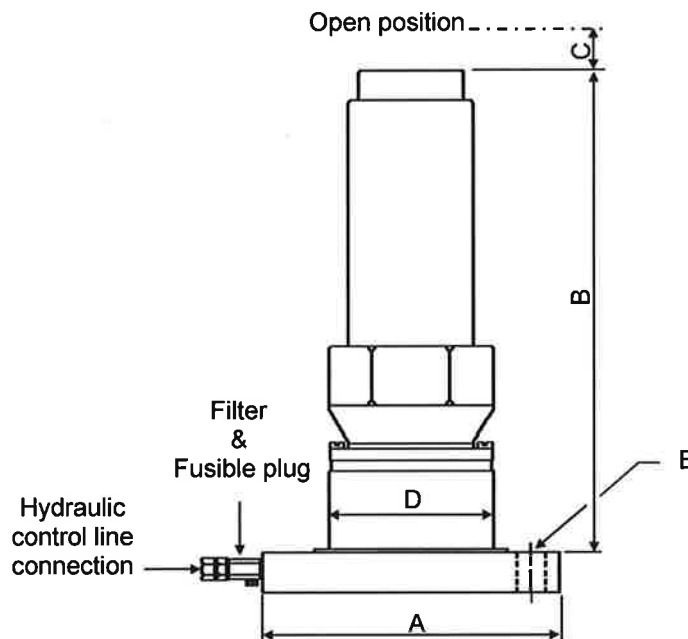
- Automatically close in case of hazardous situations (fire, loss of power, etc...)
- Installation in any position.
- Suitable for different range of liquefied gases.
- Suitable for industrial, road & rail tanks.
- Conformity with PED 97/23 EC
- Low maintenance

▶ DESCRIPTION:

The **hydraulically operated** shut off valve **06139-CE** has been designed to contribute to the safety required for the storage tanks or cavern of LPG (High pressure under ambient temperature).

This valve closes automatically when hazardous situation as fire (by melting of fusible plug which are installed on hydraulic control lines at strategic positions) or as loss of power (by automatic or manual control of hydraulic line pressure).

▶ MECHANICAL FITTINGS AND DIMENSIONS:



Flange ANSI 300#	Dimensions / mm					Weight (Lbs / Kg)
	A	B	C	D	E	
2"	165	263,7	36	91	8 x holes Ø 19	20 Lbs / 9 Kg
3"	209,5	267,8	35	110	8 x holes Ø 22	26 Lbs / 12 Kg
4"	254	279	31	147,5	8 x holes Ø 22	46 Lbs / 21 Kg
6"	317,5	295,4	38	200	12 x holes Ø 22	70 Lbs / 32 Kg

▶ **TECHNICAL DATA:**

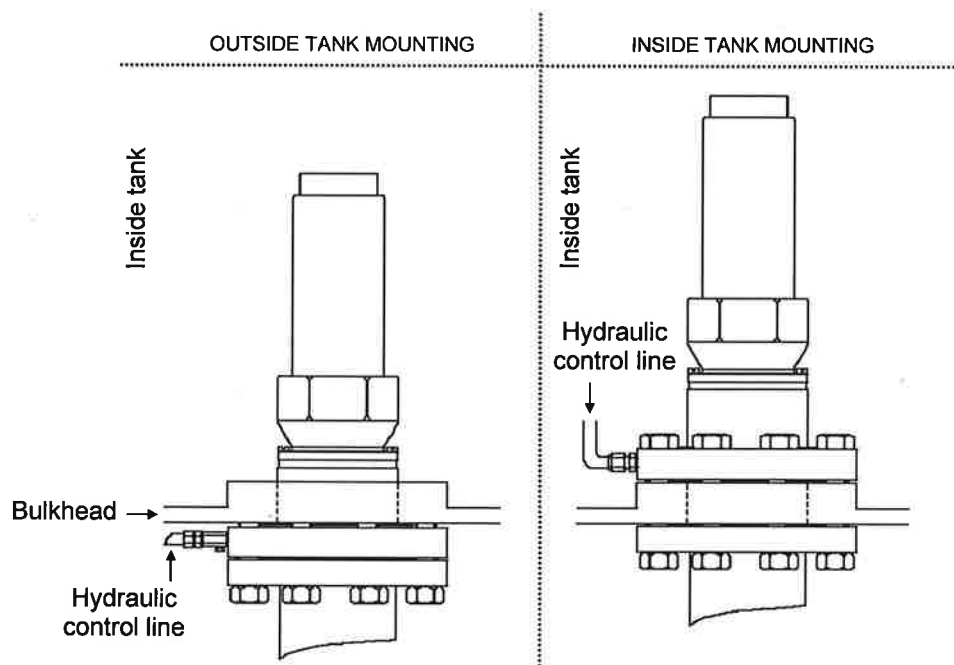
- Maximum service pressure: up to 20 bar
- Operating temperatures
 - C1: Butane, propane - 20°C to +85°C
 - C2: Service, chemical - 45°C to +85°C
 - C3: Ammonia - 45°C to +85°C
- Fusible plug: Melting point @ 96°C
- Hydraulic control pressure: 40 to 60 bar
- Product range: Butane, propane, ammonia
Butadiene, vinyl chloride.
- Certification: BV - ASME VIII DIV 1.

▶ **SPECIAL FEATURES:**

- Materials:
 - Base: Cast steel, ASTM A 352 Grd lcb down to -45°C
 - Cylinder: Steel internally chromed
 - Piston: Stainless Steel.

Gaskets:	Piston	Cylinder	Seat	Flange
- C1	Nitrile (NBR)	Nitrile (NBR)	Nitrile (NBR)	Klingsil
- C2	PTFE / Viton (FKM)	PTFE	PTFE	Metallo-plastic
- C3	PTFE / Nitrile (NBR)	PTFE	PTFE	Klingsil

▶ **INSTALLATION:**

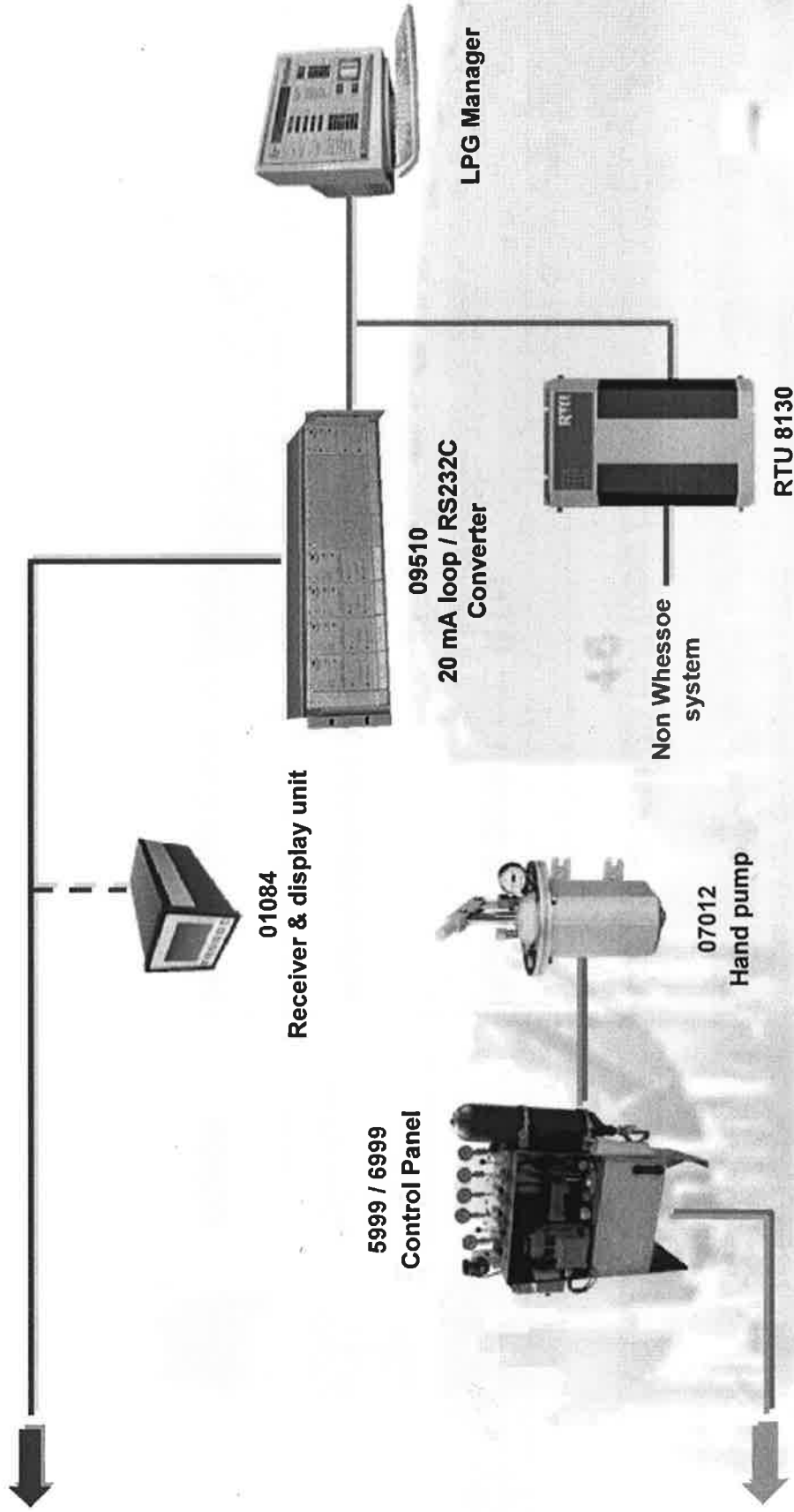


▶ **TECHNICAL DOCUMENTATION:**







Installation & Maintenance manual ,
6139-CE/TPED/PED/NI/AN Rev 3

▶ **LOCAL REPRESENTATIVE**

LPG PRESSURIZED TANK



LPG PRESSURIZED TANK

	01084	Receiver & display unit.
	09510	Converter: 0-20 mA loop / RS232.
	08130	Remote tank unit: RTU.
	LPG Manager	Management software.
	05999	Hydraulic control panel.
	07012	Hydraulic hand pump.

